

### General Description

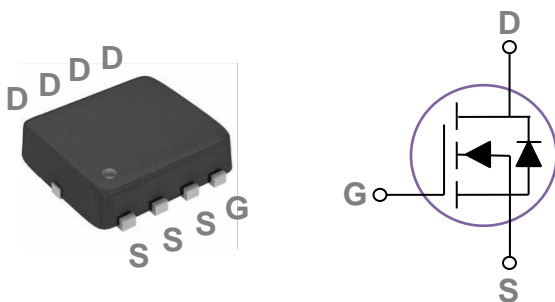
These N-Channel enhancement mode power field effect transistors are using trench DMOS technology. This advanced technology has been especially tailored to minimize on-state resistance, provide superior switching performance, and withstand high energy pulse in the avalanche and commutation mode. These devices are well suited for high efficiency fast switching applications.

BVDSS	RDSON	ID
65V	10.8mΩ	48A

### Features

- 65V,48A,  $R_{DS(ON)} = 10.8m\Omega$  @  $V_{GS} = 10V$
- Improved  $dv/dt$  capability
- Fast switching
- 100% EAS Guaranteed
- Green Device Available

### PPAK3X3 Pin Configuration



### Applications

- Motor Drive
- Power Tools
- LED Lighting
- Quick Charger

### Absolute Maximum Ratings $T_c=25^\circ C$ unless otherwise noted

Symbol	Parameter	Rating	Units
$V_{DS}$	Drain-Source Voltage	65	V
$V_{GS}$	Gate-Source Voltage	+20/-12	V
$I_D$	Drain Current – Continuous ( $T_c=25^\circ C$ )	48	A
	Drain Current – Continuous ( $T_c=100^\circ C$ )	30.4	A
$I_{DM}$	Drain Current – Pulsed <sup>1</sup>	192	A
EAS	Single Pulse Avalanche Energy <sup>2</sup>	51.2	mJ
IAS	Single Pulse Avalanched Current <sup>2</sup>	32	A
$P_D$	Power Dissipation ( $T_c=25^\circ C$ )	42	W
	Power Dissipation – Derate above $25^\circ C$	0.33	W/ $^\circ C$
$T_{STG}$	Storage Temperature Range	-55 to 150	$^\circ C$
$T_J$	Operating Junction Temperature Range	-55 to 150	$^\circ C$

### Thermal Characteristics

Symbol	Parameter	Typ.	Max.	Unit
$R_{\theta JA}$	Thermal Resistance Junction to ambient	---	62	$^\circ C/W$
$R_{\theta JC}$	Thermal Resistance Junction to Case	---	2.98	$^\circ C/W$

**Electrical Characteristics (T<sub>J</sub>=25 °C, unless otherwise noted)**
**Off Characteristics**

Symbol	Parameter	Conditions	Min.	Typ.	Max.	Unit
BV <sub>DSS</sub>	Drain-Source Breakdown Voltage	V <sub>GS</sub> =0V , I <sub>D</sub> =250uA	65	---	---	V
ΔBV <sub>DSS</sub> /ΔT <sub>J</sub>	BV <sub>DSS</sub> Temperature Coefficient	Reference to 25°C , I <sub>D</sub> =1mA	---	0.03	---	V/°C
I <sub>DSS</sub>	Drain-Source Leakage Current	V <sub>DS</sub> =60V , V <sub>GS</sub> =0V , T <sub>J</sub> =25°C	---	---	1	uA
		V <sub>DS</sub> =48V , V <sub>GS</sub> =0V , T <sub>J</sub> =85°C	---	---	10	uA
I <sub>GSS</sub>	Gate-Source Leakage Current	V <sub>GS</sub> =+20V , V <sub>DS</sub> =0V	---	---	100	nA

**On Characteristics**

R <sub>DS(ON)</sub>	Static Drain-Source On-Resistance <sup>3</sup>	V <sub>GS</sub> =10V , I <sub>D</sub> =15A	---	9	10.8	mΩ
		V <sub>GS</sub> =4.5V , I <sub>D</sub> =12A	---	16.3	19.5	mΩ
V <sub>GS(th)</sub>	Gate Threshold Voltage	V <sub>GS</sub> =V <sub>DS</sub> , I <sub>D</sub> =250uA	1	1.6	2.5	V
ΔV <sub>GS(th)</sub>	V <sub>GS(th)</sub> Temperature Coefficient		---	-5	---	mV/°C
g <sub>fs</sub>	Forward Transconductance	V <sub>DS</sub> =10V , I <sub>D</sub> =3A	---	6	---	S

**Dynamic and switching Characteristics**

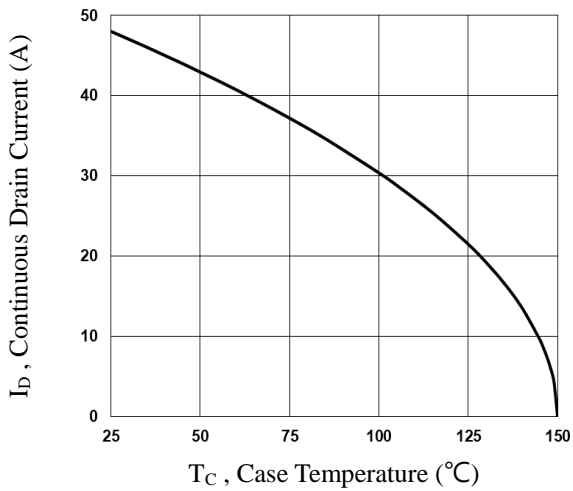
Q <sub>g</sub>	Total Gate Charge <sup>3, 4</sup>	V <sub>DS</sub> =30V , V <sub>GS</sub> =10V , I <sub>D</sub> =15A	---	15.3	30.6	nC
Q <sub>gs</sub>	Gate-Source Charge <sup>3, 4</sup>		---	2.4	5.8	
Q <sub>gd</sub>	Gate-Drain Charge <sup>3, 4</sup>		---	5.4	10.8	
T <sub>d(on)</sub>	Turn-On Delay Time <sup>3, 4</sup>	V <sub>DD</sub> =30V , V <sub>GS</sub> =10V , R <sub>G</sub> =3.3Ω I <sub>D</sub> =1A	---	10	20	ns
T <sub>r</sub>	Rise Time <sup>3, 4</sup>		---	13.5	27	
T <sub>d(off)</sub>	Turn-Off Delay Time <sup>3, 4</sup>		---	28	56	
T <sub>f</sub>	Fall Time <sup>3, 4</sup>		---	20	40	
C <sub>iss</sub>	Input Capacitance	V <sub>DS</sub> =30V , V <sub>GS</sub> =0V , F=1MHz	---	945	1890	pF
C <sub>oss</sub>	Output Capacitance		---	275	550	
C <sub>rss</sub>	Reverse Transfer Capacitance		---	26	52	
R <sub>g</sub>	Gate resistance		V <sub>GS</sub> =0V , V <sub>DS</sub> =0V , F=1MHz	---	0.3	

**Drain-Source Diode Characteristics and Maximum Ratings**

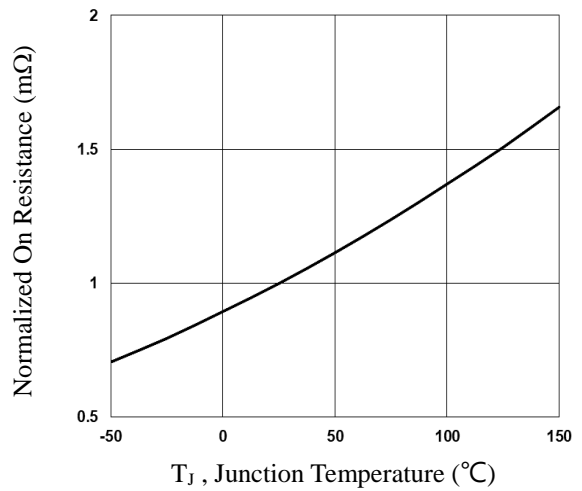
Symbol	Parameter	Conditions	Min.	Typ.	Max.	Unit
I <sub>S</sub>	Continuous Source Current	V <sub>G</sub> =V <sub>D</sub> =0V , Force Current	---	---	48	A
I <sub>SM</sub>	Pulsed Source Current <sup>3</sup>		---	---	96	A
V <sub>SD</sub>	Diode Forward Voltage <sup>3</sup>	V <sub>GS</sub> =0V , I <sub>S</sub> =1A , T <sub>J</sub> =25°C	---	---	1	V

Note :

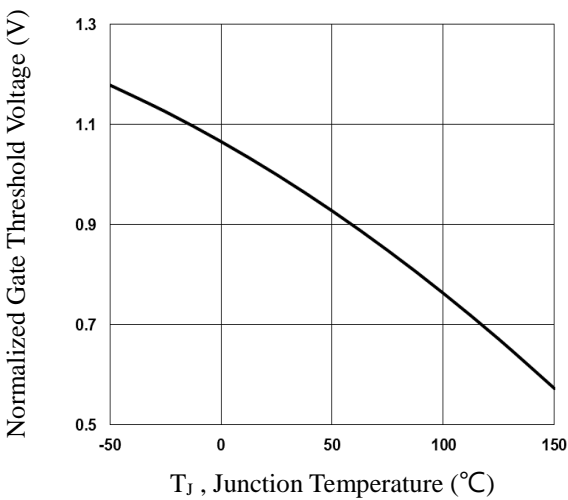
1. Repetitive Rating : Pulsed width limited by maximum junction temperature.
2. V<sub>DD</sub>=50V, V<sub>GS</sub>=10V, L=0.1mH, I<sub>AS</sub>=32A., R<sub>G</sub>=25Ω, Starting T<sub>J</sub>=25°C.
3. The data tested by pulsed , pulse width ≤ 300us , duty cycle ≤ 2%.
4. Essentially independent of operating temperature.



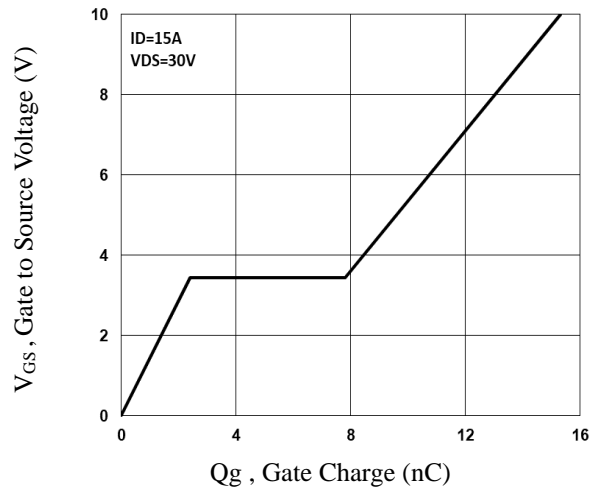
**Fig.1 Continuous Drain Current vs.  $T_c$**



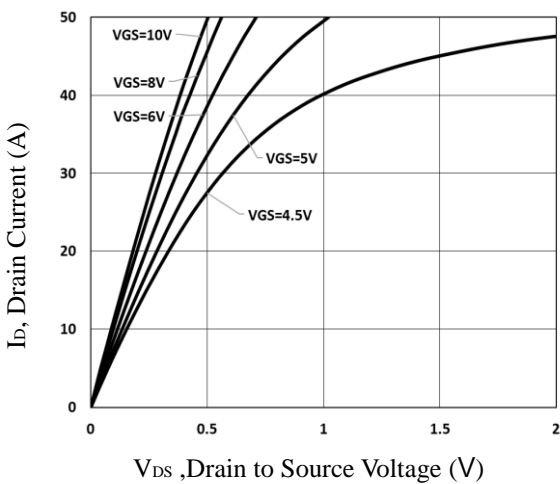
**Fig.2 Normalized  $R_{DS(on)}$  vs.  $T_j$**



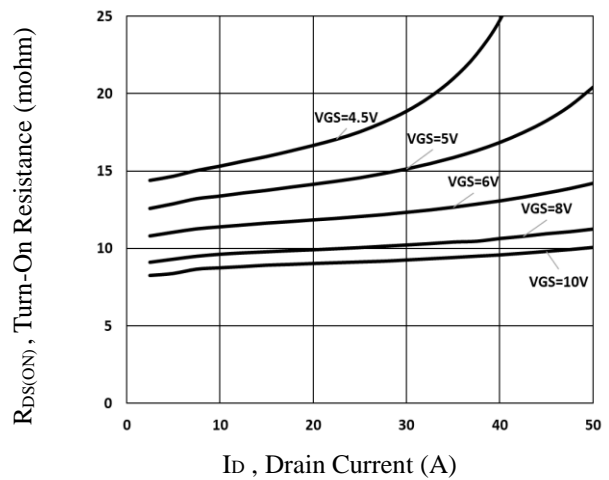
**Fig.3 Normalized  $V_{th}$  vs.  $T_j$**



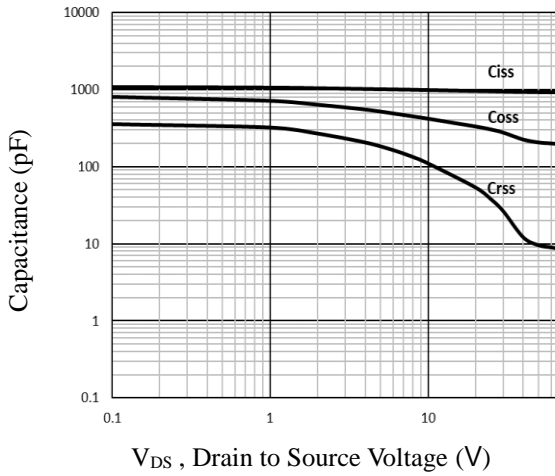
**Fig.4 Gate Charge Waveform**



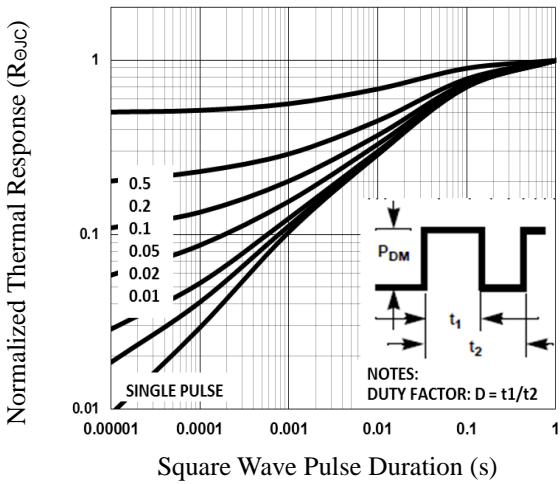
**Fig.5 Typical Output Characteristics**



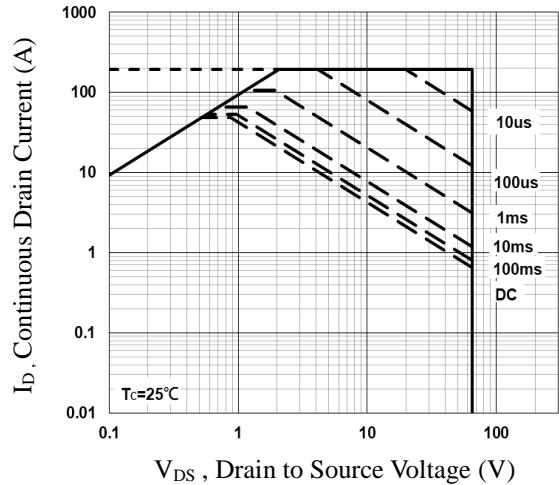
**Fig.6 Turn-On Resistance vs.  $I_D$**



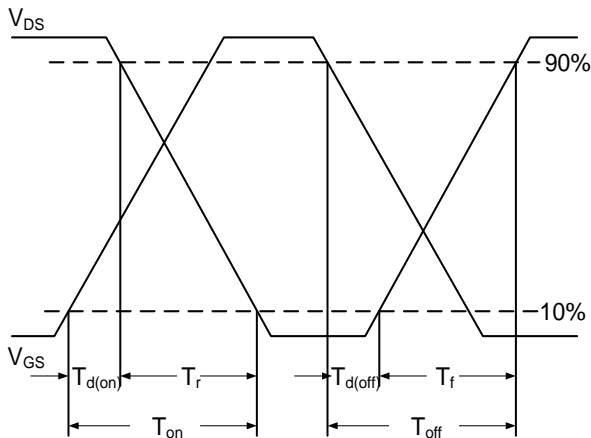
**Fig.7 Capacitance Characteristics**



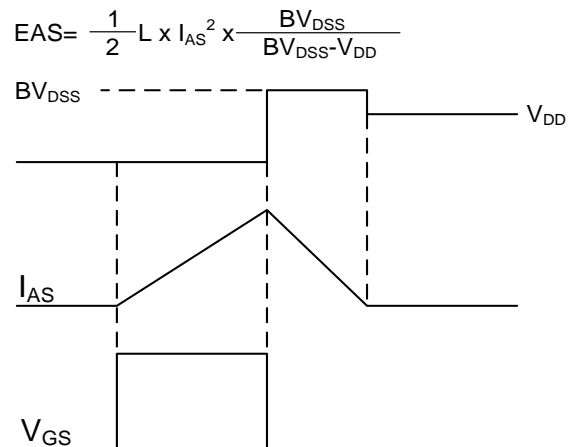
**Fig.8 Normalized Transient Response**



**Fig.9 Maximum Safe Operation Area**

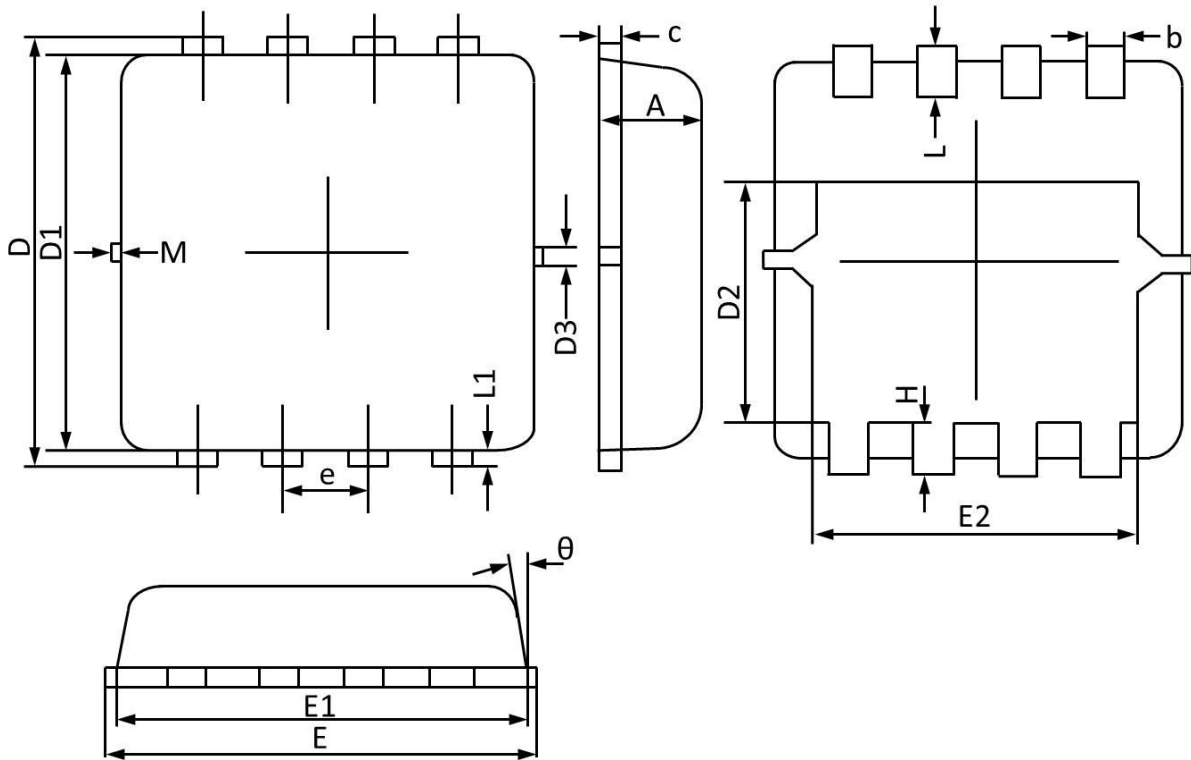


**Fig.10 Switching Time Waveform**



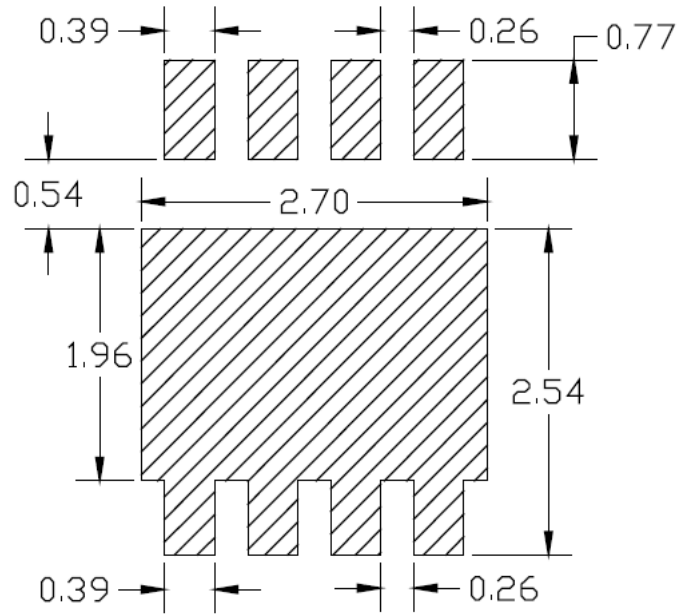
**Fig.11 EAS Waveform**

**PPAK3X3 PACKAGE INFORMATION**



Symbol	Dimensions In Millimeters		Dimensions In Inches	
	Min	Max	Min	Max
A	0.700	0.800	0.028	0.031
b	0.250	0.350	0.010	0.013
c	0.100	0.250	0.004	0.009
D	3.250	3.450	0.128	0.135
D1	3.000	3.200	0.119	0.125
D2	1.780	1.980	0.070	0.077
D3	0.130 REF		0.005 REF	
E	3.200	3.400	0.126	0.133
E1	3.000	3.200	0.119	0.125
E2	2.390	2.590	0.094	0.102
e	0.650 BSC		0.026 BSC	
H	0.300	0.500	0.011	0.019
L	0.300	0.500	0.011	0.019
L1	0.130 REF		0.005 REF	
$\theta$	0°	12°	0°	12°
M	0.150 REF		0.006 REF	

### PPAK3X3 RECOMMENDED LAND PATTERN



unit : mm