

General Description

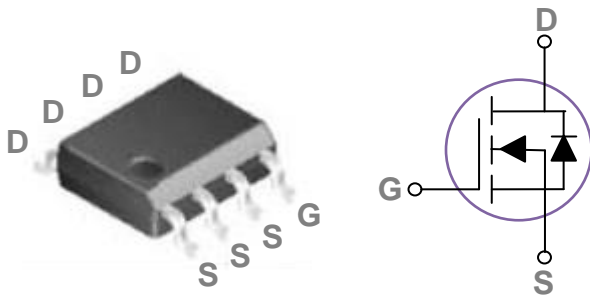
These N-Channel enhancement mode power field effect transistors are using trench DMOS technology. This advanced technology has been especially tailored to minimize on-state resistance, provide superior switching performance, and withstand high energy pulse in the avalanche and commutation mode. These devices are well suited for high efficiency fast switching applications.

BVDSS	RDSON	ID
60V	50mΩ	5.5A

Features

- 60V,5.5A, $R_{DS(ON)} = 50m\Omega @ V_{GS} = 10V$
- Improved dv/dt capability
- Fast switching
- 100% EAS Guaranteed
- Green Device Available

SOP8 Pin Configuration



Applications

- Motor Drive
- Power Tools
- LED Lighting

Absolute Maximum Ratings $T_C=25^\circ C$ unless otherwise noted

Symbol	Parameter	Rating	Units
V_{DS}	Drain-Source Voltage	60	V
V_{GS}	Gate-Source Voltage	± 20	V
I_D	Drain Current – Continuous ($T_C=25^\circ C$)	5.5	A
	Drain Current – Continuous ($T_C=100^\circ C$)	3.5	A
I_{DM}	Drain Current – Pulsed ¹	22	A
EAS	Single Pulse Avalanche Energy ²	11	mJ
IAS	Single Pulse Avalanche Current ²	15	A
P_D	Power Dissipation ($T_C=25^\circ C$)	1.66	W
	Power Dissipation – Derate above $25^\circ C$	0.0133	W/ $^\circ C$
T_{STG}	Storage Temperature Range	-50 to 150	$^\circ C$
T_J	Operating Junction Temperature Range	-50 to 150	$^\circ C$

Thermal Characteristics

Symbol	Parameter	Typ.	Max.	Unit
$R_{\theta JA}$	Thermal Resistance Junction to ambient	---	75	$^\circ C/W$
$R_{\theta JC}$	Thermal Resistance Junction to Case	---	35	$^\circ C/W$

Electrical Characteristics (T_J=25 °C, unless otherwise noted)
Off Characteristics

Symbol	Parameter	Conditions	Min.	Typ.	Max.	Unit
BV _{DSS}	Drain-Source Breakdown Voltage	V _{GS} =0V, I _D =250uA	60	---	---	V
ΔBV _{DSS} /ΔT _J	BV _{DSS} Temperature Coefficient	Reference to 25 °C, I _D =1mA	---	0.05	---	V/°C
I _{DSS}	Drain-Source Leakage Current	V _{DS} =60V, V _{GS} =0V, T _J =25 °C	---	---	1	uA
		V _{DS} =48V, V _{GS} =0V, T _J =125 °C	---	---	10	uA
I _{GSS}	Gate-Source Leakage Current	V _{GS} =±20V, V _{DS} =0V	---	---	±100	nA

On Characteristics

R _{DS(ON)}	Static Drain-Source On-Resistance	V _{GS} =10V, I _D =8A	---	43	50	mΩ
		V _{GS} =4.5V, I _D =4A	---	50	60	mΩ
V _{GS(th)}	Gate Threshold Voltage	V _{GS} =V _{DS} , I _D =250uA	1.2	1.8	2.5	V
ΔV _{GS(th)}	V _{GS(th)} Temperature Coefficient		---	-4.2	---	mV/°C
gfs	Forward Transconductance	V _{DS} =10V, I _D =4A	---	6.5	---	S

Dynamic and switching Characteristics

Q _g	Total Gate Charge ^{2,3}	V _{DS} =30V, V _{GS} =10V, I _D =4A	---	14	21	nC
Q _{gs}	Gate-Source Charge ^{2,3}		---	2.9	5	
Q _{gd}	Gate-Drain Charge ^{2,3}		---	2.3	4	
T _{d(on)}	Turn-On Delay Time ^{2,3}	V _{DD} =30V, V _{GS} =10V, R _G =3.3Ω I _D =1A	---	3.9	7	ns
T _r	Rise Time ^{2,3}		---	12.6	24	
T _{d(off)}	Turn-Off Delay Time ^{2,3}		---	23.1	44	
T _f	Fall Time ^{2,3}		---	6.7	13	
C _{iss}	Input Capacitance	V _{DS} =15V, V _{GS} =0V, F=1MHz	---	800	1160	pF
C _{oss}	Output Capacitance		---	380	550	
C _{rss}	Reverse Transfer Capacitance		---	115	170	
R _g	Gate resistance		V _{GS} =0V, V _{DS} =0V, F=1MHz	---	1.7	

Drain-Source Diode Characteristics and Maximum Ratings

Symbol	Parameter	Conditions	Min.	Typ.	Max.	Unit
I _S	Continuous Source Current	V _G =V _D =0V, Force Current	---	---	5.5	A
I _{SM}	Pulsed Source Current		---	---	11	A
V _{SD}	Diode Forward Voltage	V _{GS} =0V, I _S =1A, T _J =25 °C	---	---	1	V

Note :

1. Repetitive Rating : Pulsed width limited by maximum junction temperature.
2. V_{DD}=25V, V_{GS}=10V, L=0.1mH, I_{AS}=15A., R_G=25Ω, Starting T_J=25 °C
3. The data tested by pulsed , pulse width ≤ 300us , duty cycle ≤ 2%.

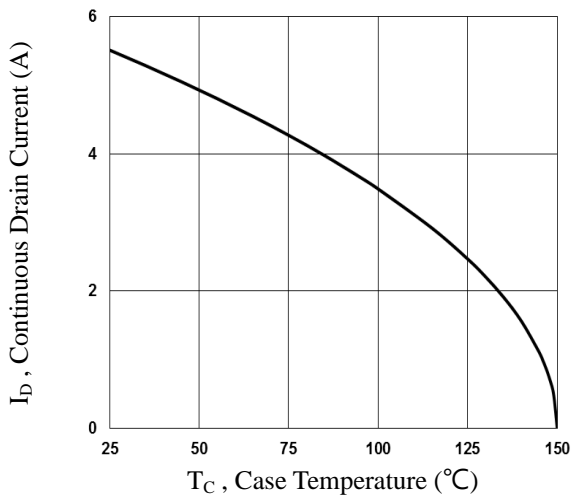


Fig.1 Continuous Drain Current vs. T_c

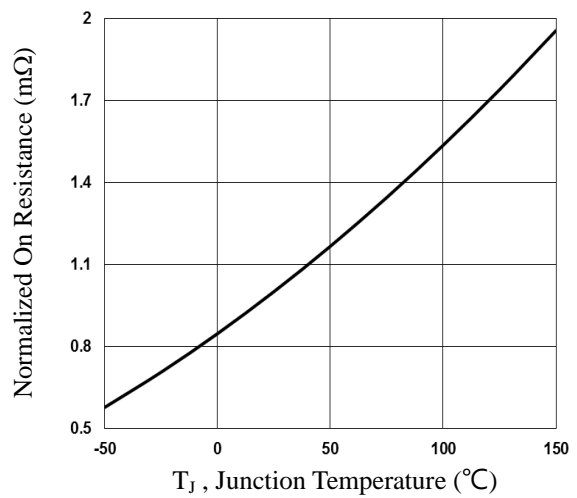


Fig.2 Normalized R_{DS(on)} vs. T_j

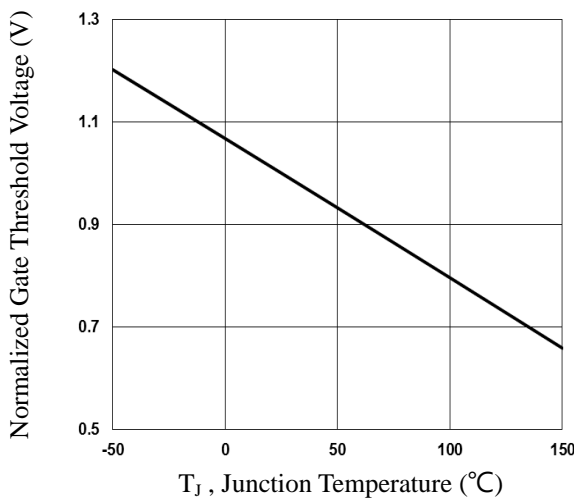


Fig.3 Normalized V_{th} vs. T_j

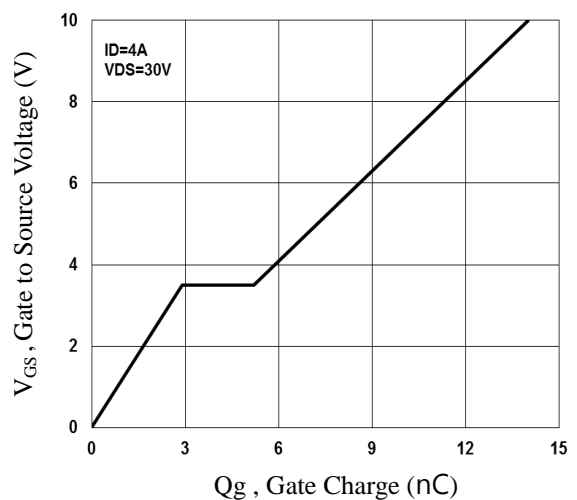


Fig.4 Gate Charge Waveform

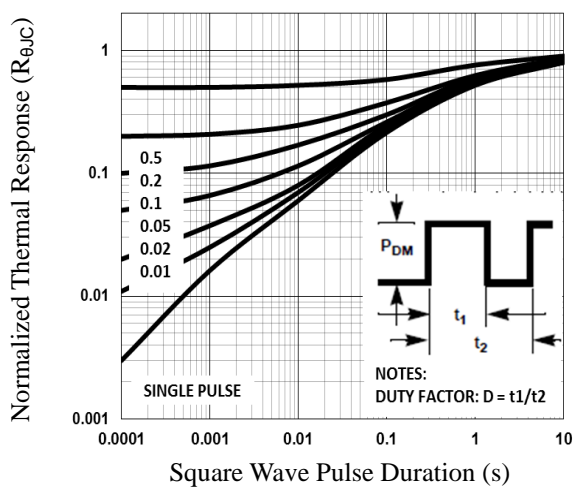


Fig.5 Normalized Transient Impedance

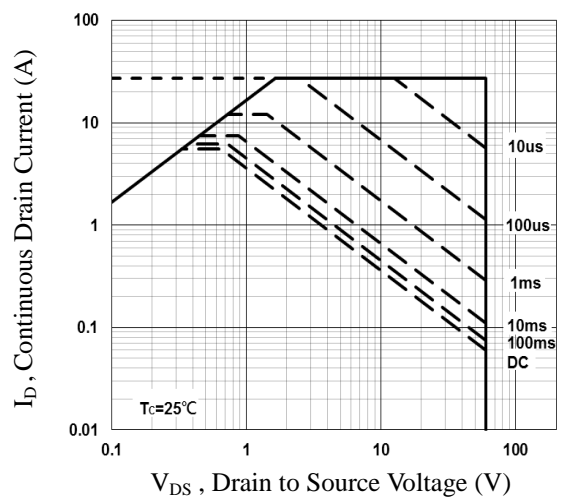


Fig.6 Maximum Safe Operation Area

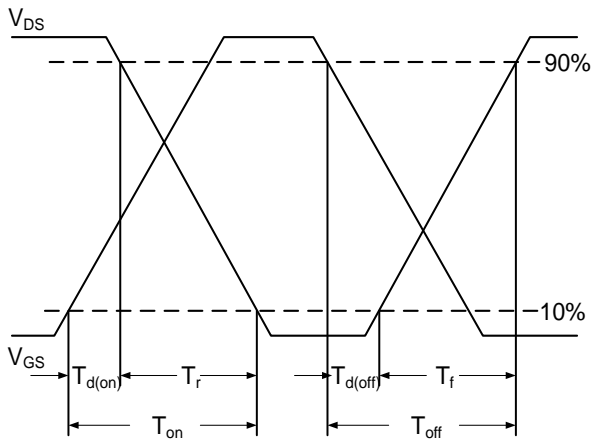


Fig.7 Switching Time Waveform

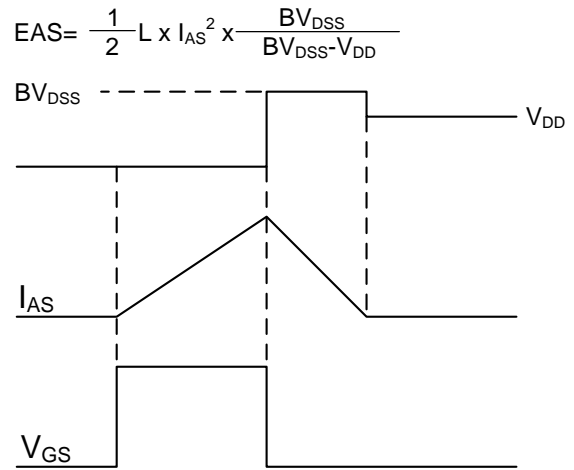
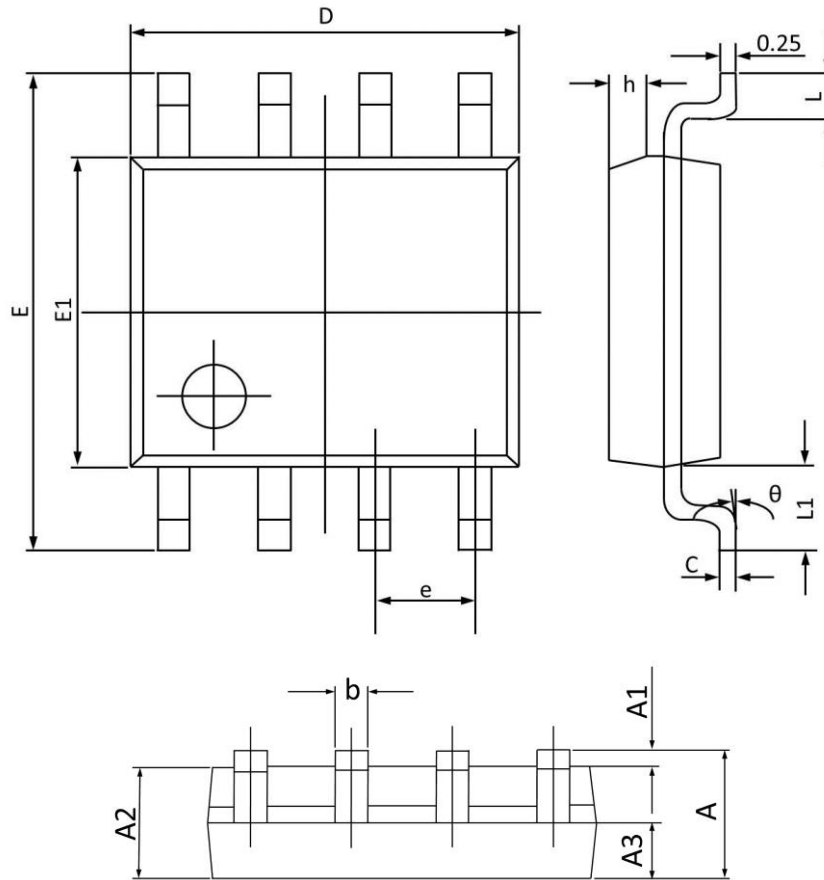


Fig.8 EAS Waveform

SOP8 PACKAGE INFORMATION



Symbol	Dimensions In Millimeters		Dimensions In Inches	
	Min	Max	Min	Max
A	1.350	1.750	0.053	0.068
A1	0.100	0.250	0.004	0.009
A2	1.300	1.500	0.052	0.059
A3	0.600	0.700	0.024	0.027
b	0.390	0.480	0.016	0.018
c	0.210	0.260	0.009	0.010
D	4.700	5.100	0.186	0.200
E	5.800	6.200	0.229	0.244
E1	3.700	4.100	0.146	0.161
e	1.270(BSC)		0.050(BSC)	
h	0.250	0.500	0.010	0.019
L	0.500	0.800	0.019	0.031
L1	1.050(BSC)		0.041(BSC)	
θ	0°	8°	0°	8°